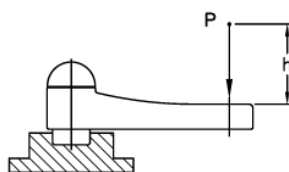
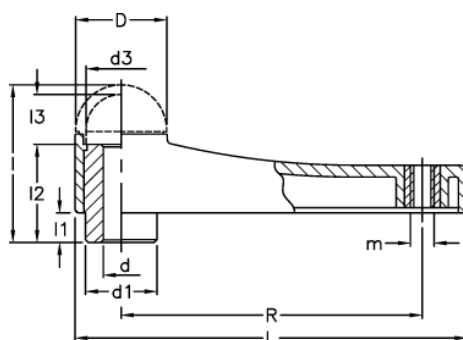
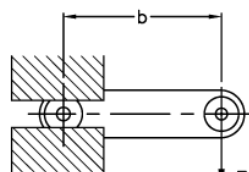


Article number: 2305002102510
 Description: E+G Crank handle
 EKH.125-A14-SI-C0, no cap

Measures



$$L[J] = P[N] \cdot h[m]$$



$$C[N \cdot m] = F[N] \cdot b[m]$$

C (N m)	= 350	l1	= 14
d	= 35.0	l2	= 40
d1	= 28	l3	= 18
d3	= 26.5	m	= M8
d H7	= 14	R	= 126
l	= 62.0		
L	= 161.5		
L (J)	= 45		